

**Unpack the Machine** • Please confirm the included items against the illustration printed on the lid of the packing box.  
• A USB cable is necessary to connect the machine with your computer.

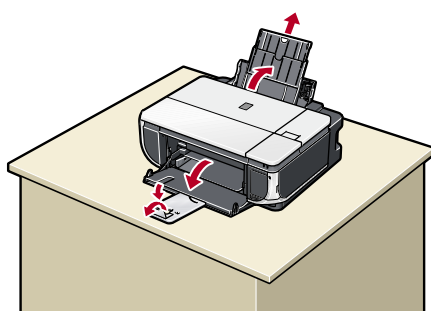
QT5-0453-V02

# 1 Prepare the Machine

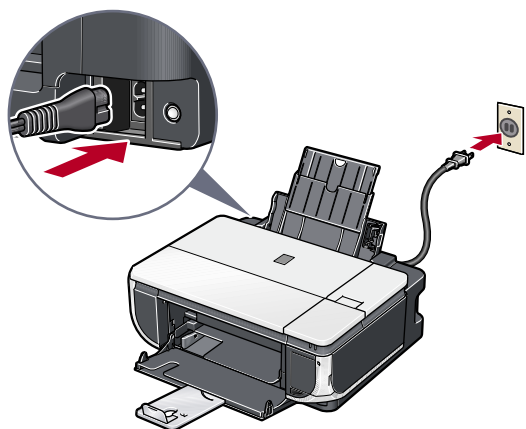
1 Place the machine on a flat and horizontal surface, and do not place any objects in front of the machine. Open the Front Feeder, and extend the Paper Output Support and the Paper Support.

**Caution**  
Before turning on the machine, remove all of the shipping tapes.

**Important**  
Do not connect the USB cable until after the software is installed.

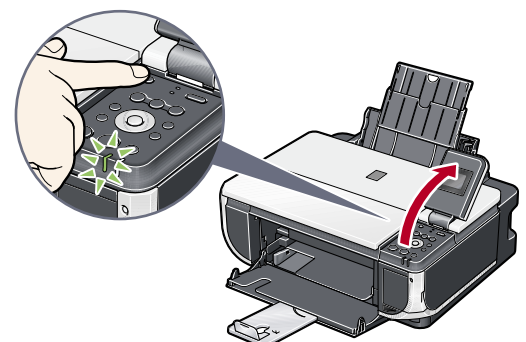


2 Plug the power cord in the back of the machine and connect the other end to the wall outlet.



**Important**  
• Plug the power cord all the way in, since it may be difficult to plug.  
• Make sure that the Document Cover is closed.

3 Open the Operation Panel, then press the ON/OFF button to turn on the machine.



4 Use the ▲ or ▼ button on the Operation Panel to select the language for the LCD, then press the OK button.



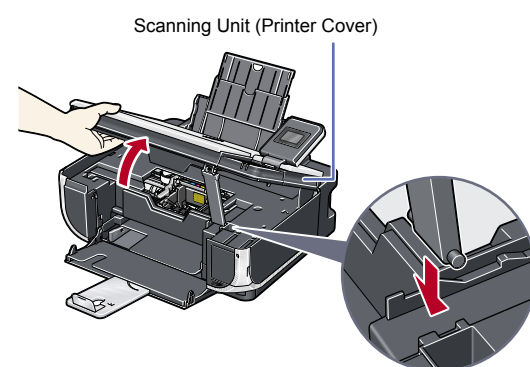
(1) Press the ▲ or ▼ button to select the language.

(2) Press the OK button.

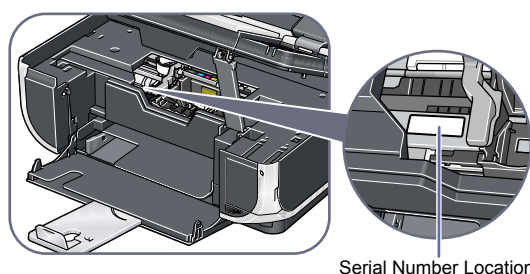
**Important**  
If an unintended language is displayed on the LCD, proceed setup to the end of step 3 "Install the Ink Tanks", and then refer to "An Unintended Language Is Displayed on the LCD" in "Troubleshooting" of the User's Guide on-screen manual to change the LCD language.

If the message <Install the print head and set the ink tank.> appears, go to 5.

5 Lift the Scanning Unit (Printer Cover) open, and set the Scanning Unit Support to hold the cover. The Print Head Holder moves to the center.

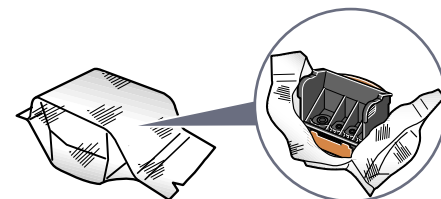


6 Write down the serial number located inside the machine. You will need this to register your product.



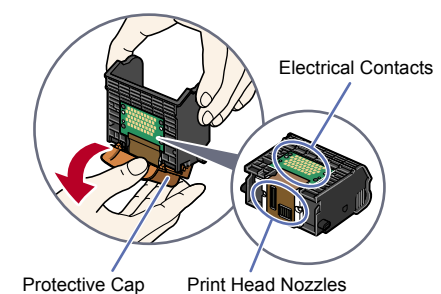
# 2 Install the Print Head

1 Remove the Print Head from its package.



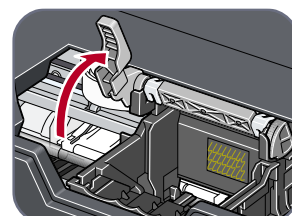
**Caution**  
There may be some transparent or light blue ink on the inside of the bag the print head comes in, or the inside of the protective cap - this has no effect on print quality. Be careful not to get ink on yourself when handling these items.

2 Remove the orange protective cap from the Print Head and discard it.

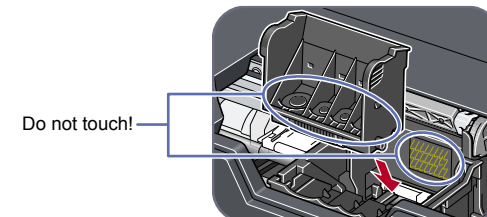


**Note**  
Do not touch the print head nozzles and the electrical contacts.

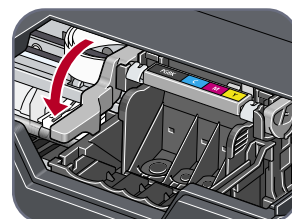
3 Firmly raise the Print Head Lock Lever until it stops.



4 Insert the Print Head.



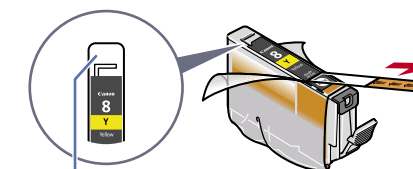
5 Lower the Print Head Lock Lever carefully.



**Important**  
If the Scanning Unit (Printer Cover) is left open for more than 10 minutes, the Print Head Holder moves to the right. Close and reopen the Scanning Unit (Printer Cover) to return the Holder to the center.

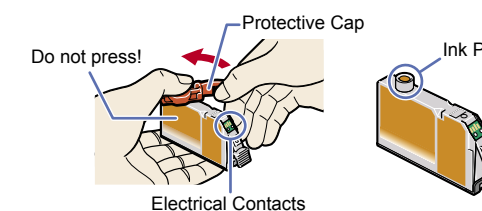
# 3 Install the Ink Tanks

1 Peel back the orange tab completely and remove the plastic wrapper from the ink tank.



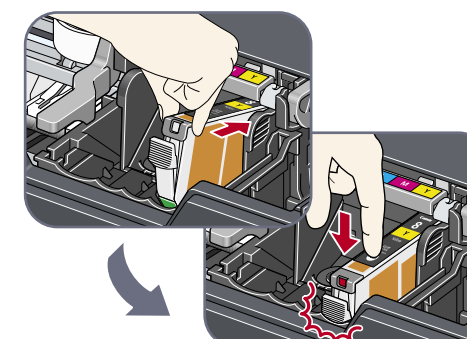
If the orange-colored protective film is not removed completely, problems with printing may occur.

2 Twist off and discard the orange protective cap located on the bottom of the ink tank.



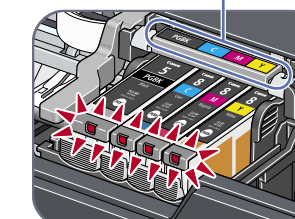
**Important**  
• Do not touch the electrical contacts.  
• Do not touch the ink port.

3 Insert the ink tank into the right-hand slot and press the mark on the ink tank until it clicks into place.

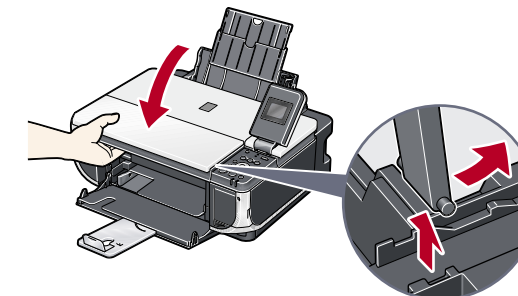


4 Make sure the ink lamp lights red.

Refer to the color guide on the Print Head Lock Lever.



5 Lift the Scanning Unit (Printer Cover) slightly to set the Scanning Unit Support back to its original position, and then gently close the Scanning Unit (Printer Cover).



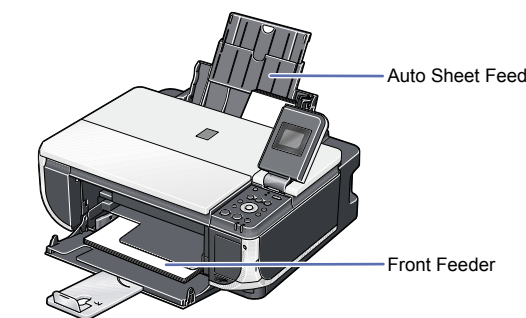
**Important**  
The machine starts operating. Wait about 2 minutes until the machine stops making noise.

Hardware setup is complete.

## Loading Paper

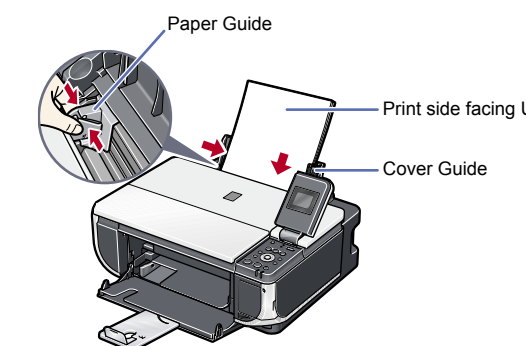
This machine offers two paper sources to load printing paper; the Auto Sheet Feeder, found at the top of the machine, and the Front Feeder, found at the front of the machine.

**Note**  
• At purchase, the machine is set to feed from the Auto Sheet Feeder.  
• You can load A4, Letter, or B5-sized plain paper in the Front Feeder. When using any other type of paper, load it in the Auto Sheet Feeder.



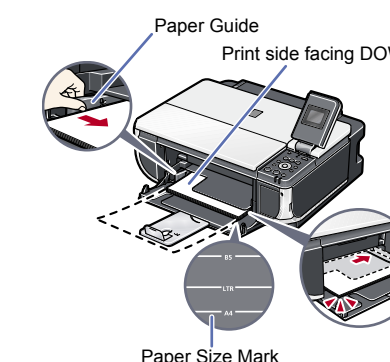
### Loading Paper in the Auto Sheet Feeder

- 1 Load the paper in the Auto Sheet Feeder with the print side facing UP.
- 2 Align the paper stack against the Cover Guide on the right side of the Paper Support.
- 3 Pinch the Paper Guide and slide it against the left side of the paper stack.



### Loading Paper in the Front Feeder

- 1 Load the paper in the Front Feeder with the print side facing DOWN and the leading edge to the far side.
- 2 Align the paper stack against the right edge of the Front Feeder.
- 3 Align the near and the left edges of the paper with the Paper Size Mark.
- 4 Pinch the Paper Guide and slide it against the left side of the loaded paper stack.



**Note**  
For details, refer to the Quick Start Guide.



## Windows® MP Drivers Installation

Windows

**Note**

- The screens below refer to Windows XP Service Pack 2 installation. Screens may vary depending on the operating system you are using.
- For Windows XP or Windows 2000, log on to Windows as a member of the Administrators group before continuing.
- Before installing the driver, disable all anti-virus programs and automatically loading programs.

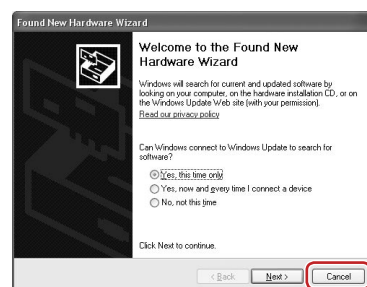
**1 Turn off the machine.**

- (1) Press the **ON/OFF** button.
- (2) Make sure that the **POWER** lamp stops flashing.

**2 Turn the computer on and start Windows.**

**Important**

If you see the **Found New Hardware Wizard**, remove the USB cable. Click **Cancel** to quit the screen. Next, turn off the machine. Then proceed from step 3 to install the MP Drivers.



**3 Insert the Setup CD-ROM. The setup program should run automatically.**

**Note**

The setup program should run automatically. If the installer in the CD-ROM does not run automatically, click **Start** and select **My Computer**, then double-click the **CD-ROM** icon.

**4 When the main menu appears, click **Easy Install**.**



**Note**

- Select **Easy Install** in order to install the MP Drivers, on-screen manuals, and application software. Select **Custom Install** in order to choose the options you would like to install.
- To install Adobe® RGB (1998), click **Custom Install** and follow the on-screen instructions. If you are using Windows Me/98, Adobe RGB cannot be installed.

**5 When the list of applications to install appears, confirm the contents, click **Install**.**

**Note**

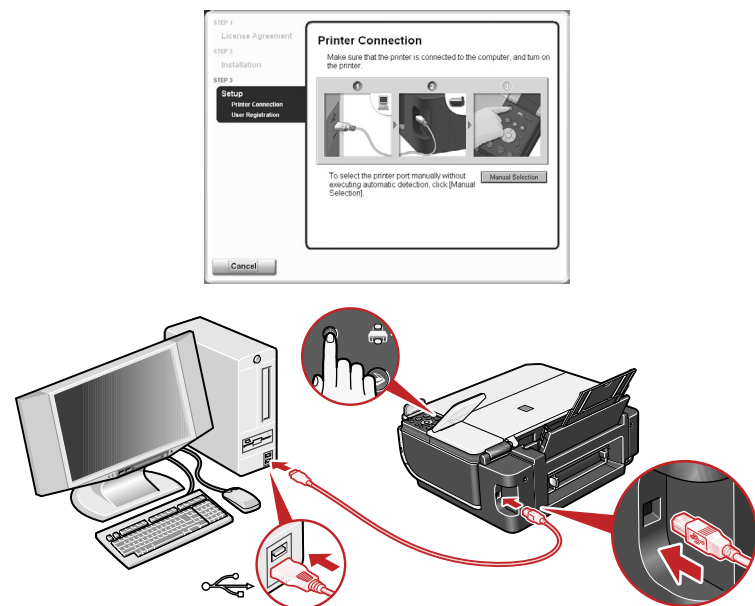
Move the cursor over items to display explanations of each application below.

**6 Read the License Agreement carefully and click **Yes**. Follow the on-screen instructions to install the software. If a message asking for your confirmation to restart your computer appears, click **OK**.**

**7 When the **Printer Connection** screen appears, connect the machine with a USB cable, then turn the machine on. The software will begin identifying the printer port being used.**

**Important**

If you cannot go to the next procedure after 3 minutes, refer to "Troubleshooting" instructions in the *User's Guide on-screen manual*.



**8 Follow the on-screen instructions to register your product.**

**Note**

When the **User Registration** screen appears, follow on-screen instructions to register your product. You will need your product serial number, which is located on the inside of the machine. See Step 1-6 on the front page.

**9 When the **Installation completed successfully** screen appears, click **Exit**.**



If **Restart** is displayed, make sure that the **Restart the system now (recommended)** check box is selected, then click **Restart**.

**Now you have completed installation of the software.**

## Macintosh® MP Drivers Installation

Macintosh

**Important**

Since Mac® OS 9, Mac OS X Classic environments, or Mac OS X v.10.2.7 or earlier are not supported, do not connect the machine to these.

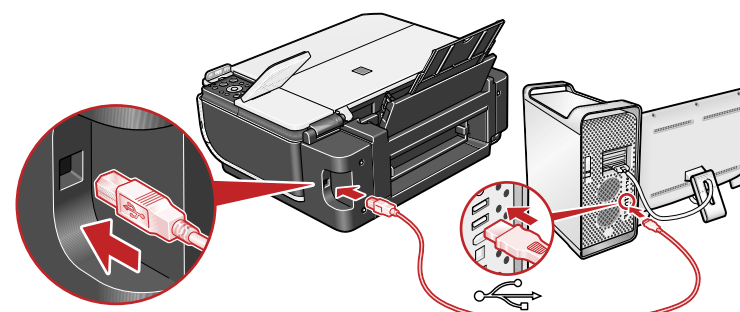
**Note**

- Use Mac OS X v.10.2.8 to 10.4.x.
- The screens below refer to Mac OS X v.10.4.x installation. Screens may vary depending on the operating system you are using.
- Log on as an Administrator before continuing.
- Before installing the driver, disable all anti-virus programs and automatically loading programs.

**1 Connect one end of the USB cable to the computer, the other to the machine.**

**Note**

Make sure the machine is turned on.



**2 Turn on your Mac.**

**3 Insert the Setup CD-ROM.**

**Note**

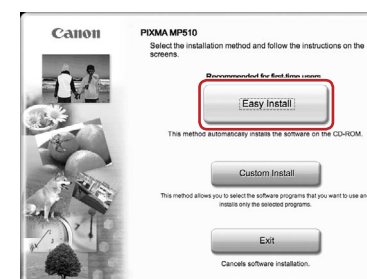
If the **CD-ROM** folder does not open automatically, double-click the **CD-ROM** icon on the desktop.

**4 Double-click the **Setup** icon.**

**5 When the **Authenticate** screen appears, enter your administrator name and password. Click **OK**. If you do not know your administrator name or password, click **?**, then follow the on-screen instructions.**



**6 When the main menu appears, click **Easy Install**.**



**Note**

Select **Easy Install** in order to install the MP Drivers, on-screen manuals, and application software. Select **Custom Install** in order to choose the options you would like to install.

**7 When the list of applications to install appears, confirm the contents, then click **Install**.**

**Note**

Move the cursor over items to display explanations of each application below.

**8 Read the License Agreement carefully and click **Yes**. Follow the on-screen instructions to install the software.**

**9 Follow the on-screen instructions to register your product.**

**Note**

When the **User Registration** screen appears, follow on-screen instructions to register your product. You will need your product serial number, which is located on the inside of the machine. See Step 1-6 on the front page.

**10 When the **Installation completed successfully** screen appears, click **Restart**.**



The system is restarted automatically.

**\*When connecting from Mac OS X v.10.3.3 or earlier:**

Restarting the computer while connected to the machine may cause the machine not to be detected. To resolve this, either unplug the USB cable then plug it back in again, or turn the machine off then back on again.

**11 After restarting the computer, start Printer Setup Utility (start Print Center if you are using Mac OS X v.10.2.8) and then check that the printer name you want to use is shown in **Printer List**. If the printer name is not displayed, click **Add** to add the device. For more detailed instructions, refer to the Mac on-screen Help.**

**Now you have completed installation of the software.**